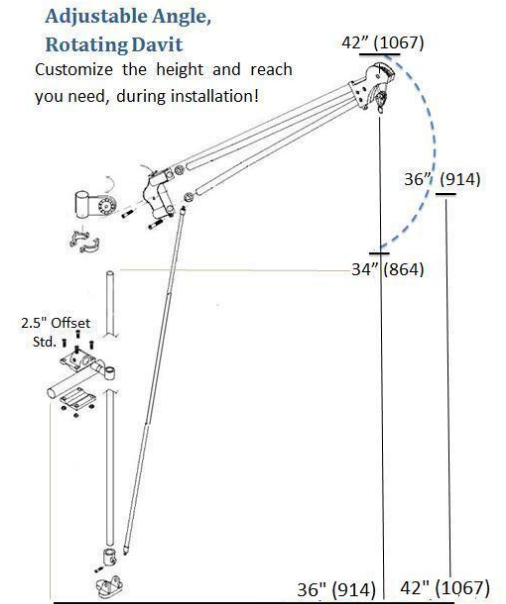


# Step 1: Determine Required Lifting Capacity and Model

## Rotating Davits

Model	<u>1200</u>	<u>1400 Adjustable</u>	<u>1900 Adjustable</u>
Weight Load	200 Lbs. (91Kg)	250 Lbs. (113Kg)	300 Lbs. (136Kg)
Purchase	6:1	7:1	7:1
Height	36 in. (91cm)		
(Min)		34 in. (86cm)	41 in. (86cm)
(Max)		51 in. (130cm)	65 in. (165cm)
Reach	36 in. (91cm)		
(Min)		33 in. (84cm)	33 in. (84cm)
(Max)		42 in. (112cm)	42 in. (112cm) * Option + 8" (\$)



## Fixed Adjustable Davits

(\*) With Opt. Riser Arm

Model	<u>1400</u>	<u>1900</u>	<u>2000</u>	<u>5000</u>
Weight Load	250 Lbs. (113Kg)	300 Lbs. (136Kg)	350 Lbs. (159Kg)	750 Lbs. (340Kg)
Purchase	7:1	7:1	7:1	12:1 + 6.8:1 Optional 12v or 24v Electric
Height	0 - 25 in. (64cm)*	0 - 25 in. (64cm)*	0 - 32 in. (81cm)*	0 - 40 in. (81cm)*
Reach				
(Min)	33 in. (84cm)	33 in. (84cm)	33 in. (84cm)	35 in. (89cm)
(Max)	44 in. (112cm)*	44 in. (112cm)* ** Option + 8" (\$)	52 in. (132cm)*	65 in. (165cm) ** Option + 10" (\$)

## Fixed Davits

There are a few types of davits available on the market today. Simply put, Fixed Davits do not rotate. They attach (often through-bolted) to a swim platform, transom, or deck. These are ideal with heavier tenders, or when more height and/or reach are required. Many fixed davit systems have some form of a 'riser arm', or extension, which allows you to customize the system for you. With these, you decide exactly where the dinghy is going to sit in the air. Atkins & Hoyle makes the only adjustable system, allowing you to change both the height and the reach.

## Rotating Davits

Rotating davits are gaining popularity among boaters; they add versatility to the conventional davit. Exactly how it sounds, they rotate – often as much as 180', different from a crane which will rotate a full 360'. This style of davit often mounts on railings, and is ideal for small inflatable dinghies, kayaks/canoes; to a medium size RIBs (300 lbs.). Many boaters double a quality rotating davit as a motor (outboard) hoist as well. Rotating davits are likely the most commonly produced davit, many companies try and fool you with 'prefab' systems made out of lesser quality materials which eventually rust and break, but Atkins & Hoyle's line of adjustable davits is *Simply The Best*.

## Why Davits?

Davits are an easy solution to hauling / storing your dinghy or personal watercraft (PWC). If you are a boater and own a dinghy, there has likely been at least one situation where you wish you had some kind of davit system. Lifting the inflatable over the bow rail may seem like an easy task at first, it doesn't take more than a few uses before it becomes tedious and a real job. Over time this leads to your dinghy sitting (deflated) in a lazarette or worse, at home in the garage. At Atkins & Hoyle Ltd., we feel having easy access to your dinghy or PWC adds another level of entertainment, for the entire family, unmatched by any other addition to the boat. Some boaters have seen it done, and many think it is a good idea – Towing is never ideal. First off safety, while the dinghy is on a tow line you have little to no control of it. Should a wave wash your dinghy into shore, or worse, the side of your (or someone else's) vessel, you may be in for some serious trouble. Let say safety is not at the top of your list (it should be), constantly having to scrub the bottom of the dinghy gets old, very quick.

Starting as low as \$850.00 each, davits are an easy alternative.

## Step 2: Determine Your Mounting Method

**Rail** – Rail mount davits are very popular. Available only in a Rotating Design.

They are easy to install and remove when not in use. They adjust between 7/8” – 1-1/4” Railings.



60% Load is carried by rail alone

- Rail Support Strut (Optional) will reinforce weak rails
- Requires TWO (2) points of connection
  - The Rail, and the deck or transom



**Deck** – Deck mount davits make for a clean install. In most cases the deck should be reinforced using a backing plate. This popular mounting method will maximize height.



Deck Mounting reduces the overall reach

- Depending how far inboard the bases are mounted

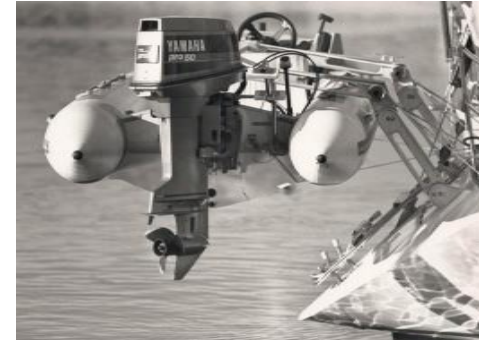


**Transom** – Our most popular mount (other than rail). In most cases the transom should be reinforced using a backing plate. This popular mounting method will maximize reach.



Transom Mounting reduces the overall height

- Depending how low on the transom the bases are mounted



# Questions?

Call Us! (613) 354-1919 Fax: (416) 596-8989

Email:

General Inquiries: [Info@AtkinsHoyle.com](mailto:Info@AtkinsHoyle.com)

Brian Atkins: [Brian.AtkinsHoyle@Gmail.com](mailto:Brian.AtkinsHoyle@Gmail.com)

Eric Atkins: [Eric.AtkinsHoyle@Gmail.com](mailto:Eric.AtkinsHoyle@Gmail.com)

Benjamin Atkins: [Benjo.Atkins@Gmail.com](mailto:Benjo.Atkins@Gmail.com)

Mail:

**Atkins & Hoyle Ltd**

180 Kimmett's Side Road

Napanee, Ontario

K7R 3L2 CANADA