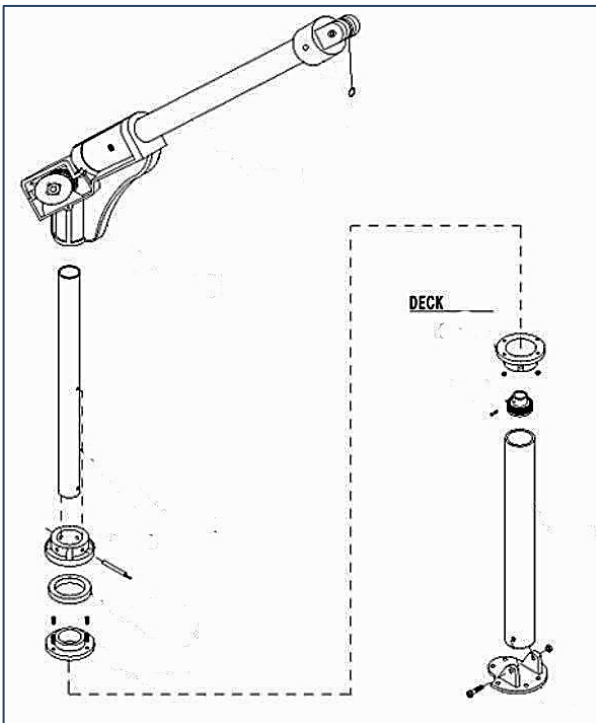
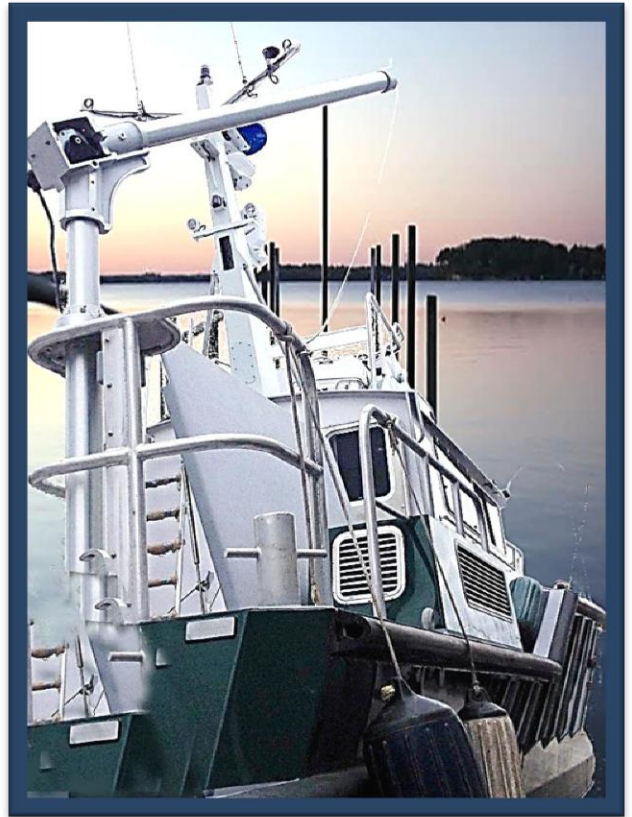


MODEL **6500R Rotating Crane**
Industry Approved!

Easy to install, Manual or Electric

Safe Working Load	650 Lbs. (295 Kg)
Overall Reach	66" (168 cm)
Overall Height	72" (183cm)
Pulling Ratio	28:1 (2-Speed) 18 Lbs. @ Max Load
Weight	75 Lbs. (34 Kg)



Available Options:	
Electric Winch (12v)	_____
Remote Control (12')	_____
Stainless Cable (Galv. Std)	_____
Deck/ Transom Mount	_____
9x12" Backing Plate	_____
Total	

For More information, please visit

www.AtkinsHoyle.com

Phone (613) 354-1919 Fax (416) 596-8989

Email Info@AtkinsHoyle.com

Thank you for your Business!