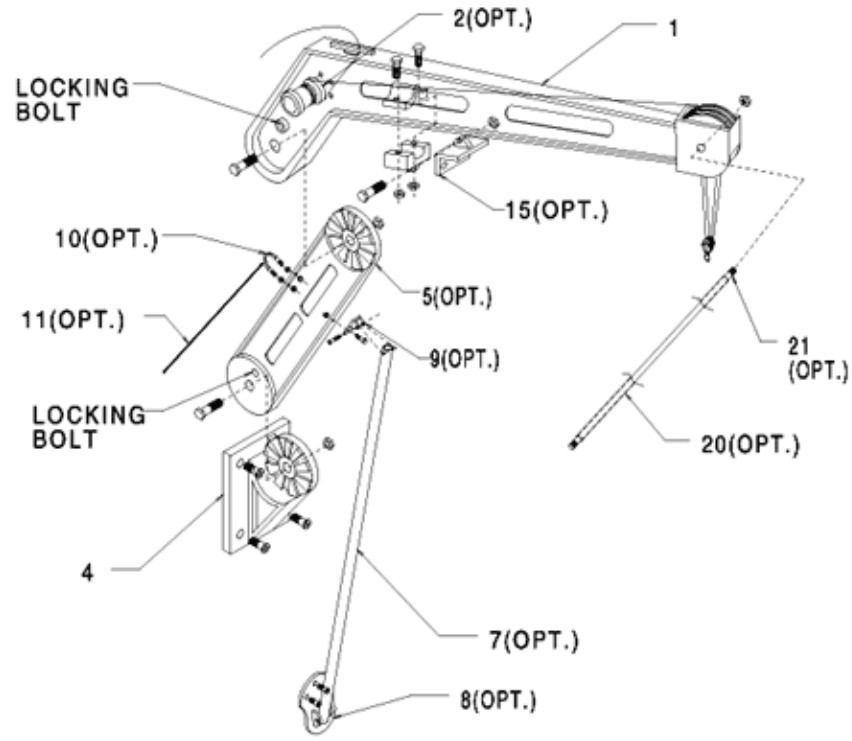


Model 2000 Davit



Part Number	Name	Description
1	Lifting Arm	Cast AlMag – Main Arm. Toothed Spline allows for angle adjustment
2	6.8:1 Chrome Winch	Optional. Winch bolts to davit to increase purchase (pulling advantage)
4	Base (Deck or Transom)	Cast AlMag – Mounting base bolts to surface and connects Lifting Arm. Toothed Spline allows for angle adjustment
5	Riser Arm (18" or 26")	Cast AlMag – Riser bolts between Base and Lifting Arm. Toothed Spline allows for angle adjustment.
7, 8, 9	Compression Strut	34" of 1" 316 Stainless Steel. Cast AlMag Base for connection to the boat. Triangulates load and supports mount.
10, 11	Deck Support Kit	Coated Stainless Wire (7x19) with Turnbuckle swaged in. 60" long. U-Bolt for connection to davit, swage fittings included for connection to pad-eye to Stanchion bolt on deck.
20/21	Stabilizing Bar	72" of 1" 316 Stainless Steel. Stainless Fittings connect bar to davits. Use to mount Solar Panels, or as grab-bar into boat.